

**ADEMCO VISTA-12A**  
**Security Systems**

**Programming Guide**

**TO START PROGRAM MODE, use method A or B (must use alpha keypad connected to keypad terminals):**

- A. POWER UP, then press both [\*] and [#] at same time within 50 seconds of powering up.  
(if \*98 was used to exit program mode, this is the only method that can be used to start program mode again)
- B. Initially, key: Installer Code (4 + 1 + 1 + 2) plus 8 + 0 + 0.

**Data Field Programming Procedures**

Task	Procedure
<b>Go to a Data Field</b>	Press [*] + [Field Number], followed by the required entry.
<b>Entering Data</b>	When the desired field number appears, simply make the required entry. When the last entry for a field is entered, the keypad beeps three times and automatically displays the next data field in sequence. If the number of digits that you need to enter in a data field is less than the maximum digits available (for example, the phone number fields *41, *42), enter the desired data, then press [*] to end the entry.
<b>Review a Data Field</b>	Press [#] + [Field Number]. Data will be displayed for that field number. No changes will be accepted in this mode.
<b>Deleting an Entry</b>	Press [*] + [Field Number] + [*]. (Applies only to fields *40–*43, *45, *94, and pager programming fields)

**Menu Mode Programming (\*56, 57, \*58, \*79, \*80, \*81, \*82, \*83)**

Press [\*] + [Interactive Mode No.] (for example, \*56). The alpha keypad displays the first of a series of prompts.

Interactive Mode	Used to Program
*56 Zone Programming	Zone characteristics, report codes, alpha descriptors, and serial numbers for 5800 RF transmitters.
*57 Function Key Programming	Unlabeled keypad keys (known as ABCD keys) for special functions
*58 Zone Programming (Expert mode)	Same options as *56 mode, but with fewer prompts. Intended for those familiar with this type of programming, otherwise *56 mode is recommended.
*79 Output Device Mapping	Assign module addresses and map individual relays/powerline carrier devices
*80 Output Programming	4229 or 4204 Relay modules, 6164 output relay, Powerline Carrier devices, or on-board triggers
*81 Zone List Programming	Zone Lists for relay/powerline carrier activation, chime zones, pager zones, etc.
*82 Alpha Programming	Zone alpha descriptors
*83 Configurable Zone type Prog	Attributes for configurable zone types

**INITIALIZE DOWNLOAD and RESET DEFAULTS (complete Default Tables are listed on page 20)**

- \*96 Initializes download ID and subscriber account number.
- \*97 Sets all data fields to original factory default values as follows:  
The VISTA-12A has two unique sets (tables) of default entries.  
Press \*97 while in Program Mode, then press 1 or 2 to load the desired set of factory defaults (see Default Tables listed on page 20). This resets all data fields to the respective default table values.  
**User Code Defaults:** To reset only the user codes to default values, press \*97, then press 3.

**TO EXIT PROGRAMMING MODE:**

- \*98 Exits programming mode and *prevents* re-entry by: Installer Code + 8 + 0 + 0. If \*98 is used to exit programming mode, system must be powered down, and method 1 above used to enter the programming mode.
- \*99 Exits programming mode and *allows* re-entry by: Installer Code + 8 + 0 + 0 or method A above.

**Special Messages**

- OC** = OPEN CIRCUIT (no communication between keypad and Control).
- EE** or **ENTRY ERROR** = ERROR (invalid field number entered; re-enter valid field number).

After powering up, **AC, dl** (disabled) or **Busy Standby** and **NOT READY** will be displayed after approximately 4 seconds. This will revert to a **Ready** message in approximately 1 minute, which allows PIRS, etc. to stabilize. You can bypass this delay by pressing [#] + [0].

If **E4** or **E8** appears, more zones than the expansion units can handle have been programmed. Correct the programming and then completely de-power and re-power the control to clear this indication and remove the disable indication.

**PROGRAMMING FORM**

Entry of a number other than one specified will give unpredictable results. Default values are shown in brackets, with unique table 1 and table 2 values indicated where applicable (DT1 = default table 1; DT2 = default table 2); see page 20 for a complete list of factory default tables 1 and 2.

**\*20 Installer Code** [4112]

0-9 = 4 digit installer code

**\*21 Quick Arm Enable** DT1: [1,1,1] DT2: [0,0,0]

0 = no quick arm; 1 = allow quick arm Part. 1 Part. 2 Com

**\*22 RF Options** [0,0]

Entry 1 - 0 = no RF Jam detection; 1 = detect RF Jam Jam Supv  
Entry 2 - supervision interval; 0 = 12 hour; 1 = 2 hour; 2 = 20 min if  
disarmed/2 hrs if armed; 3 = 12 hrs for burg zones/3 hrs for fire zones

**\*23 Quick (Forced) Bypass** [0,0,0]

0 = no quick bypass Part. 1 Part. 2 Com  
1 = allow quick bypass (code + [6] + [#])

**\*24 RF House ID Code** [00,00,00]

00 = disable all wireless keypad usage Part. 1 Part. 2 Com  
01-31 = house ID for use with 5827, 5827BD keypad or  
5804BD/5804BDV keyfob

**\*25 Arming Prevention Override** [7,1]

If no override is selected, system will not arm when there is either a supervision failure, system low battery, AC loss, or tamper.

Entry 1 0 = no arming prevention override  
1 = allow system to arm with an RF supervision failure  
2 = allow system to be armed with an AC Mains Loss  
4 = allow system to be armed with a system low battery  
E.g., To select arm with "supervision failure" and "system low battery", enter 5 (1 + 4);

Entry 2 0 = no tamper override (see field \*175 for more tamper options)  
1 = allow system to be armed with a tamper fault  
2 = allow system to be armed with a tamper fault once

NOTE: If tamper option 1 or 2 is selected, field \*175 digit 2 must be "0."

**\*26 Chime By Zone** [0]

0 = no; 1 = yes (select chime zones on zone list 3, see \*81 Menu mode)

**\*27 Powerline Carrier (X-10) House Code** [0]

0 = A; 1 = B, 2 = C, 3 = D, 4 = E, 5 = F, 6 = G, 7 = H, 8 = I, 9 = J,  
#10 = K, #11 = L, #12 = M, #13 = N, #14 = O, #15 = P

**\*29 ECP Contact ID Output for ACM** [0]

0 = no; 1 = use Contact ID output on ECP terms. (e.g. TCP-IP ethernet)

**\*31 Single Alarm Sounding/Zone** [1]

0 = no; 1 = yes, only one alarm sounding per armed period per zone

**\*32 Fire Alarm Sounder (Bell) Timeout** [0]

0 = sounder stops at timeout; 1 = no sounder timeout

**\*33 Siren (Burglary) Timeout** [3]

0=none; 1=1 min; 2=2 min; 3=3 min; 4=4 min; 5=8 min; 6=16 min

**\*34 Exit Delay** [60,60,60]

00 to 96 = 00 to 96 seconds respectively Part 1 Part 2 Com  
97 = 120 seconds

**\*35 Entry Delay 1 (zone type 01)** [15,15,15]

00 to 96 = 00 to 96 seconds respectively Part 1 Part 2 Com  
97 will = 120 seconds; 98 will = 180 seconds; 99 will = 240 seconds

**\*36 Entry Delay 2 (zone type 02)** [30,30,30]

See \*35 for entries. Part 1 Part 2 Com

**\*37 Audible Exit Warning** [1,1,1]

0 = no; 1 = yes Part 1 Part 2 Com

**\*38 Confirm. Arming Ding** [03, 03, 03]

Entry 1 for each partition selects whether arming from wired keypads causes siren ding:  
0 = no; 1 = yes, ding and siren for time selected in entry 2  
Entry 2 for each partition selects whether arming from keyswitch and/or remote RF devices causes siren ding and/or activates trigger 2 output; also selects ding/trigger activation duration (arm = 2 dings of selected duration with 1 second off between; disarm = 1 ding of selected duration).

(field \*38 continued at top of next column)

**\*38 Confirm. Arming Ding** (continued)  
(continued) Enter 0-15 from table.

Entry	Ding at Siren	Trigger 2 Output
0	none	none
1	none	250mS
2	none	1 second
3	none	4 seconds
4	250mS	none
5	250mS	250mS
6	250mS	1 second
7	250mS	4 seconds
8	1 second	none
9	1 second	250mS
#+10	1 second	1 second
#+11	1 second	4 seconds
#+12	4 seconds	none
#+13	4 seconds	250mS
#+14	4 seconds	1 second
#+15	4 seconds	4 seconds

NOTE:  
If using trigger 2 output for arming ding, do not assign any other functions to trigger 2.

**\*39 Power-Up In Previous State** [1]

0 = always power-up disarmed; 1 = power-up in previous state

For dialer fields \*40 - \*42, enter the number of digits shown. Do not fill unused spaces. Enter 0-9; #+11 for '\*'; #+12 for '#'; #+13 for a 2-second pause. If fewer than the maximum digits entered, exit the field by pressing [\*]. The next data field is displayed.

**\*40 PABX Access Code**

Enter up to 6 digits. If fewer than 6 digits are entered, exit by pressing [\*]. To clear entries from field, press \*40\*

**\*41 Primary Phone No.**

**\*42 Second Phone No.**

Enter up to 30 digits for each phone number. To clear entries, press \*41\* or \*42\* respectively.

For fields \*43, \*44, \*45, \*46, \*51 and \*52, enter 4, 6 (Robofon 8), or 10 digits, depending on selection in \*48 Report Format. Enter 0-9; #+11 for B; #+12 for C; #+13 for D; #+14 for E; #+15 for F. To clear entries from field, press \*43\*, \*44\*, \*45\*, \*46\*, \*51\* or \*52\* respectively. Examples: For Acct. 1234, enter     ; For Acct. B234, enter

**\*43 Primary Subscriber ID # (Part. 1)**

**\*44 Secondary Subscriber ID # (Part. 1)**

**\*45 Primary Subscriber ID # (Part. 2)**

**\*46 Secondary Subscriber ID # (Part. 2)**

**\*47 Phone System Select/Dialer Attempts**

Phone System Select: [1,6] Select Attempts  
If Cent. Sta. IS NOT on a satellite link: 0=Pulse Dial; 1=Tone Dial;  
if Cent. Sta. IS on a satellite link: 2 = Pulse Dial ; 3 = Tone Dial  
Dialer Attempts: 1 - 10 (for 10, enter #+10)

**\*48 Report Format** [7,7]

0 = 3+1,4+1, ADEMCO L/S STANDARD prim. second  
1 = 3+1,4+1, RADIONICS STANDARD  
2 = 4+2, ADEMCO L/S STANDARD  
3 = 4+2, RADIONICS STANDARD  
5 = CID using 10-digit subs account (ID) no.  
6 = 4+2, ADEMCO EXPRESS  
7 = CID using 4-digit subs account (ID) no.  
8 = 3+1,4+1, ADEMCO L/S EXPANDED  
9 = 3+1,4+1, RADIONICS EXPANDED  
#+10 = ROBOFON 8 (6-digit subs account no.)  
#+11 = ROBOFON Contact ID

NOTES: To enable audio "beeps" format (Follow-Me feature), refer to the System Communication and Operation section in the Inst.Instr. Also see \*53 and \*188 for notes on certain Contact ID codes.

**\*49 Split/Dual Reporting** [0]

0 = Disable (standard/backup reporting only)

Primary Phone No.	Second Phone No.
1 = Alarms, Restore, Cancel	Others
2 = All except Open/Close, Test	Open/Close, Test
3 = Alarms, Restore, Cancel	All
4 = All except Open/Close, Test	All
5 = All	All

**\*50 Dialer Delay (Burg)** [0]

0 = none; 1 = 15 seconds; 2 = 30 seconds; 3 = 45 seconds

**\*51 Primary Subscriber ID # (Common Part.)**

**\*52 Secondary Subscriber ID # (Common Part.)**

Fields \*51 and \*52 see box above \*43 for entries.

**\*53 SESCOA/Radionics and CID Enbl** [0,0]

**SESCO/Radionics Select:** Ses/Rad CID

0 = Radionics (0-9, B-F); 1 = SESCOA (0-9)

**CID Enable:**

0 = disable both Time/Date Inaccurate and Successful Download/Access reports

1 = enable Time/Date Inaccurate report (code 626)

2 = enable Successful Download/Access report (code 412)

3 = enable both Time/Date Inaccurate and Successful Download/Access reports

**NOTE:** Time/Date Inaccurate report (CID 626) and Successful Download/Access report (CID 412) are sent only if Contact ID format is selected as reporting format in field \*48.

**\*54 Dynamic Signaling Delay** [0]

Delay selectable from 0 to 225 secs in 15-sec increments.

0 = no delay (both signals sent); 1 = 15 secs; 2 = 30 secs, etc.

**\*55 Dynamic Signaling Priority** [0]

0 = Primary Dialer first; 1 = ECP Contact ID first (e.g., TCP-IP ethernet)

**TO PROGRAM SYSTEM STATUS, & RESTORE REPORT CODES:**

**For 3+1 or 4+1 Standard Format:** Enter a code in the *first* box: 1-9, #+10 for 0, #+11 for B, #+12 for C, #+13 for D, #+14 for E, #+15 for F.

A 0 (*not* #+10) in the *first* box will disable a report. A 0 (*not* #+10) in the *second* box will result in automatic advance to the next field.

**For Expanded or 4+2 Format:** Enter codes in *both* boxes (1st and 2nd digits) for 1-9, 0, or B-F, as described above.

A 0 (*not* #+10) in the *second* box will eliminate the expanded message for that report. A 0 (*not* #+10) in *both* boxes will disable the report.

**For Ademco Contact ID® Reporting:** Enter any digit (other than 0) in the *first* box, to enable zone to report (entries in the *second* boxes are ignored).

A 0 (*not* #+10) in the *first* box disables the report.

**\*59 Exit Error Report Code** [0]

**\*60 Trouble Report Code** [10]

**\*61 Bypass Report Code** DT1: [00] DT2: [10]

**\*62 AC Loss Report Code** [10]

**\*63 Low Bat Report Code** [10]

**\*64 Test Report Code** [10]

System default sets schedule 8 to send test reports for DT1: every Wednesday at 2:00AM, and for DT2: daily at 2:00AM.

First test report sent 12 hours after exiting program mode.

Use Scheduling mode to change periodic test report schedule.

**\*65 Open Report Code**

DT1: [0,0,0] DT2: [1,1,1] Part. 1 Part. 2 Com

**\*66 Arm Away/Stay Rpt Code**

DT1: [0,0;0,0;0,0]

AWAY STAY AWAY STAY AWAY STAY DT2: [1,0;1,0;1,0]

Part. 1 Part. 2 Common

**\*67 RF Trans. Low Bat Report Code** [10]

**\*68 Cancel Report Code** DT1: [10] DT2: [00]

1 = dynamically as the fault clears; 2 = only after a disarm

**\*69 Alarm Restores** [1]

Send restore code (if fault cleared):

0 = at siren timeout (if restored) or at disarm (whether restored or not)

**\*70 Alarm Restore Rpt Code** [1]

**\*71 Trouble Restore Rpt Code** [10]

**\*72 Bypass Rest. Rpt Code** DT1: [00] DT2: [10]

**\*73 AC Restore Rpt Code** [10]

**\*74 Low Bat Restore Rpt Code** [10]

**\*75 RF Low Battery Restore Rpt Code** [10]

**\*76 Test Restore Rpt Code** [10]

**\*77 Summer Time Start\End Month** [00]

0 = Disabled; 1-12 = month (1 = January, 2 = February, etc)

#+10 = October; #+11 = November; #+12 = December

**\*78 Summer Time Start\End Weekend** [00]

0 = disabled; 1 = first; 2 = second; 3 = third

4 = fourth; 5 = last; 6 = next to last; 7 = third to last

**\*84 Auto Stay Arm** [0]

0 = none; 1 = partition 1; 2 = partition 2; 4 = partition 3

Add the values for multiple partitions.

**\*85 Linked Zone Verification Timer/** [0,0]

**Up and About Timer** Linked Up/about

**Linked Zone:** Assign linked zones on zone list 4, with \*81 Menu mode.

0 = 15 seconds 4 = 90 seconds 8 = 4 min #+12 = 8 min

1 = 30 seconds 5 = 2 minutes 9 = 5 min #+13 = 10 min

2 = 45 seconds 6 = 2-1/2 min #+10 = 6 min #+14 = 12 min

3 = 60 seconds 7 = 3 min #+11 = 7 min #+15 = 15 min

**Up and About Timer:** 1-15 hours (also need to program up and about schedule for time window that up and about feature is active; value set in this field is time within the schedule that activity must occur)

**\*86 Cancel Verify Keypad Display** [0]

0 = no "alarm canceled" display

1 = display "Alarm Canceled" when system is disarmed after an alarm has occurred. (To clear the "ALARM CANCELED" display, the user must enter the security code + OFF again.)

**\*87 Misc. Fault Delay Time** [0]

(for Configurable Zone Type zones - alarm/trouble processing option)

0 = 15 seconds 4 = 90 seconds 8 = 4 min #+12 = 8 min

1 = 30 seconds 5 = 2 minutes 9 = 5 min #+13 = 10 min

2 = 45 seconds 6 = 2-1/2 min #+10 = 6 min #+14 = 12 min

3 = 60 seconds 7 = 3 min #+11 = 7 min #+15 = 15 min

**\*88 Exit Options** [2]

0 = all intrusion zones must be intact before arming(must be 0 if system uses zone type 82 - Blockschloss)

1 = All intrusion zones except in exit path (zone list 12) must be intact before arming. Exit path zones cause alarm if not restored at end of exit time

2 = All intrusion zones except in exit path (zone list 12) must be intact before arming. Exit path zones are bypassed if not restored at end of exit time

3 = Final contact set: All intrusion zones except in exit path (zone list 12) must be intact before arming. Once armed, exit delay remains on indefinitely until the last zone, as defined in zone list 8, is restored; then there is 5-second exit delay before arming state is active

**\*89 Event Log Full Report Code** [00]

See box above \*59 for entries.

**\*90 Event Log Enables** [15]

0 = None; 1 = Alarm/Alarm Restore; 2 = Trouble/Trouble Restore;

4 = Bypass/Bypass Restore; 8 = Open/Close. Ex: For "Alarm/Restore" and "Open/Close", enter 9 (1 + 8); To select all, enter #15.

**NOTE:** System messages logged when any non-zero entry is made.

**\*91 Miscellaneous Options** [0,0]

**Entry 1:** 0 = None; 4 = Audio Alarm Verification (AAV); 1 2

8 = Exit Delay Restart; #+12 = AAV (4) and Exit Delay Restart (8)

**Entry 2:** 0 = allow keypad output activation commands

(user code + # + 7 and user code + # + 8)

1 = do not allow keypad output activation commands

**\*92 Telecom Monitor Enable** [0,0]

Entry 1: 0 = disabled 1 2  
 1-15 = enabled, after 1 15 min. line outage  
 (#+10 = 10 min; #+11 = 11 min; #+12 = 12 min;  
 #+13 = 13 min; #+14 = 14 min; #+15 = 15 min)

Entry 2: 0 = keypad display when line is faulted  
 1 = keypad display plus keypad trouble sound  
 2 = Same as "1", plus programmed output device STARTS. If  
 any partition is armed, external sounder also activates.

**NOTE:** Output Device must either be programmed to be STOPPED  
 in field \*80 or STOPPED by Code + # + 8 + output number.

**\*93 No. of Reports in Armed Period** [6]

**Per Zone (Intermittent Sensor)**  
 0 = Unlimited Reports; 1 - 6 = 1 - 6 report pairs

**\*94 Download Phone No.**

Enter up to 30 digits, 0-9; #+11 for '\*'; #+12 for '#'; #+13 for a 2-  
 second pause. Do not fill unused spaces. If fewer than 30 digits, exit  
 field by pressing \*. To clear entries from field, press \*94\*.

**\*95 Ring Count For Downloading** [0]

0 = Disable Monitoring Station Initiated Download;  
 1-14 = number of rings (1-9, # +10 =10, # +11 =11, # +12 =12,  
 # +13 =13, # +14 =14);  
 15 = Answering machine/fax defeat (# +15 =15).

**\*160 Pager 1 Phone No.**

Enter up to 20 digits, 0-9; #+11 for '\*'; #+12 for '#'; #+13 for a 2-  
 second pause. Do not fill unused spaces. If fewer than 20 digits, exit  
 field by pressing \*. To clear entries from field, press \*160\*.

**\*161 Pager 1 Characters**

Enter the optional prefix characters, up to 16 digits.  
 0-9; #+11 = '\*'; #+12 = '#'; #+13 = 2-second pause.

**\*162 Pager 1 Reporting Options**

For each partition, select from: [0,0,0] Part. 1 Part. 2 Part 3  
 0 = no reports sent; 1 = Open/close all users; 4 = All alarms and troubles  
 5 = All alarms / troubles, and open/closes for all users  
 12 = Alarms / troubles for zones entered in zone list 9  
 13 = Alarms / troubles for zones entered in zone list 9, and  
 opens/closes for all users

**\*163 Pager 2 Phone No.** (See field \*160 for entries.)

**\*164 Pager 2 Characters** (See field \*161 for entries.)

**\*165 Pager 2 Reporting Options**

See field \*162 for entries. [0,0,0] Part. 1 Part. 2 Part 3  
 Use zone list 10 if using options 12 or 13.

**\*166 Pager Delay Option For Alarms** [0]

0 = none, 1 = 1 minute, 2 = 2 minutes, 3 = 3 minutes  
 This delay is for ALL pagers in the system. The delay does not reset  
 for new alarms occurring while an existing pager delay is in progress.

**\*173 RF Reporting Options** [1]

0 = none; 1 = RF Tamper reports during disarm  
 2 = RF keyfobs send low battery  
 3 = RF Tamper reports during disarm and RF keyfobs send low battery

**\*175 Tamper Options** [0,0]

(see field \*25 for tamper override options when arming) 1 2  
 Entry 1: 0 = standard tamper protection  
 1 = detect tamper from bypassed zones  
 2 = detect tamper when in Test mode  
 3 = detect tamper when in Test mode from bypassed zones  
 Entry 2: 0 = all users can clear a tamper (must be "0" if field \*25 digit  
 2 set to 1 or 2)  
 1 = only the installer can clear a tamper

**\*176 Siren Options** [0,0]

Entry 1: 0 = external siren; 1 = self-activated external siren 1 2  
 Entry 2: 0 = disable (2nd digit ignored if 1st digit not set to ext. siren)  
 1 = enable 30 second ext. siren and dialer delay during entry  
 delay period when armed AWAY (if entry delay is active  
 and an instant zone is faulted, the siren is delayed 30  
 seconds, and the report is delayed 30 secs. unless field  
 \*50 is set for a greater delay)  
 2 = external siren and dialer delayed 15-seconds when  
 armed in STAY mode

**\*177 Device Duration 1, 2** [0,7]

(used in \*80 Output Definitions menu -Device Actions 5/6) 1 2  
**Duration 1 - Device Action 5 Timer**  
 0 = 15 seconds 4 = 90 secs 8 = 4 min #+12 = 8 min  
 1 = 30 seconds 5 = 2 min 9 = 5 min #+13 = 10 min  
 2 = 45 seconds 6 = 2-1/2 min #+10 = 6 min #+14 = 12 min  
 3 = 60 seconds 7 = 3 min #+11 = 7 min #+15 = 15 min  
**Duration 2 - Device Action 6 Timer (Strobe Timer)**  
 1 - 7 = 1 to 7 days

**\*178 RF Supervision and RF Jam Option** [0]

0 = Basic RF supervision and RF jam detection  
 1 = Report RF supervision failure as tamper alarm when armed  
 2 = Report RF Jam as tamper alarm when armed  
 3 = Report RF Jam & RF supervision failure as tamper alarm when armed

**\*180 Zone Bypass Limit** [0]

0 = unlimited zone bypasses in each partition  
 1-7 = number of zone bypasses allowed in each partition  
 (each partition individually uses this entry)  
 8 = zone bypass disabled (no zones can be bypassed)

**\*181 AC and Clock Display Options** [13]

Use the following table to select the desired options for real-time  
 clock synchronization (50Hz, 60Hz, Crystal), AC Loss display  
 (independent of AC Loss report enabled in \*62), and clock display  
 (time displayed on bottom line of alpha keypads).  
 "X10" indicates the AC frequency used for powerline carrier devices.

Entry	AC Freq.	Crystal for	AC Loss disp	Clock disp
0	60Hz	clock backup	no	no
1	50Hz	clock backup	no	no
2	60Hz	clock	no	no
3	50Hz	clock	no	no
4	60Hz	clock backup	yes	no
5	50Hz	clock backup	yes	no
6	60Hz	clock	yes	no
7	50Hz	clock	yes	no
8	60Hz	clock backup	no	yes
9	50Hz	clock backup	no	yes
#+10	60Hz	clock	no	yes
#+11	50Hz	clock	no	yes
#+12	60Hz	clock backup	yes	yes
#+13	50Hz	clock backup	yes	yes
#+14	60Hz	clock	yes	yes
#+15	50Hz	clock	yes	yes

**\*182 Summer Time Switchover Day** [0]

0 = switch on Sunday morning; 1 = switch on Saturday morning  
 2 = switch on Friday morning

**\*183 Date/Time Format** [1]

0 = 12-hour time/MMDDYY date 2 = 24-hour time/MMDDYY date  
 1 = 12-hour time/DDMMYY date 3 = 24-hour time/DDMMYY date

**\*185 Downloader Suppression Options** [0]

0 = no suppression; 1 = suppress user code viewing  
 2 = suppress commands and program download when armed  
 3 = suppress user code viewing, commands, and program download  
 when armed

**\*186 Display Options** [0,0]

Entry 1: Latch the first alarm in the display: 0 = disable; 1 = enable  
 Entry 2: Turn off the display (except for AC loss) except during exit  
 delay. Turns off when exit delay expires, or 30 seconds after  
 disarm; 0 = disable; 1 = enable

**\*187 Sounder Mimic on Trigger 1** [0]

0 = no sound output on trigger 1  
1 = mimic keypad 1, address 16 | 5 = mimic keypad 5, address 20  
2 = mimic keypad 2, address 17 | 6 = mimic keypad 6, address 21  
3 = mimic keypad 3, address 18 | 7 = mimic keypad 7, address 22  
4 = mimic keypad 4, address 19 | 8 = mimic keypad 8, address 23

**NOTE:** If used, do not assign any other functions to trigger 1.

**\*188 Keypad Sabotage Options** [0,0]

Entry 1: Keypad Lockout: 0 = disable; 1 = enable 15 minute lockout  
**NOTE:** 461 Wrong Code Entry is sent only if Contact ID format is selected as reporting format in field \*48 (if Contact ID format is not being used, this event is not reported)

Entry 2: Keypad Supervision and Tamper Fault Detection:  
0 = no, 1 = yes

**NOTE:** All lockout, supervision, and tamper events are recorded in the event log regardless of the settings in entries 1 and 2.

**\*189 AUI Device 1 and 2 Enable** [0,0]

**(for Touch Screen Style Keypads)** AUI 1 AUI 2  
System supports up to two touch screen style keypads (e.g., Symphony Advanced User Interface, and 6270 Touch Screen Keypad).

**AUI Compatibility Note:** To ensure proper AUI device operation, use AUI devices with the following rev levels: 6270 series use version 1.0.9 or higher; 8132/8142 (Symphony) series use version 1.1.175 or higher.

Touch Screen (AUI) device 1: Must set AUI device address to 1  
Touch Screen (AUI) device 2: Must set AUI device address to 2

Enter each AUI's home partition.

0 = disabled

1 = partition 1; 2 = partition 2; 3 = common partition

**KEYPAD OPTIONS**

**NOTES:** 1. Keypad 1 (addr 16) options are factory set and cannot be changed.  
2. Each keypad must be assigned a unique address. Keypads programmed with the same address will give unpredictable results.

**\*190 Keypad 2 Device Address 17** [0] [0]

Partition: 0 = keypad disabled; 1-3 = part. no. Part. Sound  
Sound: 0 = no suppression

1 = suppress arm/disarm and E/E beeps  
2 = suppress chime beeps only  
3 = suppress arm/disarm, E/E, & chime beeps

Fields\*191-\*196 see field \*190 for entries. Part. Sound

**\*191 Keypad 3 Device Address 18** [0] [0]

**\*192 Keypad 4 Device Address 19** [0] [0]

**\*193 Keypad 5 Device Address 20** [0] [0]

**\*194 Keypad 6 Device Address 21** [0] [0]

**\*195 Keypad 7 Device Address 22** [0] [0]

**\*196 Keypad 8 Device Address 23** [0] [0]

**\*197 Exit Time Display Interval** [1]

0 = no display; 1-5 = seconds between display refresh

**\*198 Display Partition Number** [0]

0 = no; 1 = yes (partition number displays on alpha keypads)

**\*199 ECP Device Fail Display** [0]

0 = 3-digit display ("1" + device address); for 6148, 6164  
1 = 2-digit fixed-display as "91;" for 6128 series keypads

**\*56 ZONE PROGRAMMING WORKSHEET [default values shown in brackets]**

Zone	Zn Type	Partition	Report	Basic Wired Type	Response Time	Location	
1	[01]	[1]	[yes]	[EOL]	[1]		
2	[04]	[1]	[yes]	[EOL]	[1]		
3	[03]	[1]	[yes]	[EOL]	[1]		
4	[03]	[1]	[yes]	[EOL]	[1]		
5	[03]	[1]	[yes]	[EOL]	[1]		
6	[03]	[1]	[yes]	[EOL]	[1]		
Zone	Zn Type	Partition	Report	Input Type	Loop	Serial Number	Location
9							
10							
11							
12							
13							
14							
15							
16							
17							
18							
19							
20							
21							
22							
23							
24							
49		[1]	[yes]	[BR]			
50		[1]	[yes]	[BR]			
51		[1]	[yes]	[BR]			
52		[1]	[yes]	[BR]			
53		[1]	[yes]	[BR]			
54		[1]	[yes]	[BR]			
55		[1]	[yes]	[BR]			
56		[1]	[yes]	[BR]			
57		[1]	[yes]	[BR]			
58		[1]	[yes]	[BR]			
59		[1]	[yes]	[BR]			
60		[1]	[yes]	[BR]			
61		[1]	[yes]	[BR]			
62		[1]	[yes]	[BR]			
63		[1]	[yes]	[BR]			
64		[1]	[yes]	[BR]			
91	[05]	N/A	[yes]	N/A	N/A	N/A	Addressable Device Report
92	N/A	N/A		N/A	N/A	N/A	Duress Report
95	[00]			N/A	N/A	N/A	keypad [1] / [*]
96	[00]			N/A	N/A	N/A	keypad [3] / [#]
99	[07]		[yes]	N/A	N/A	N/A	keypad [*] / [#]

**NOTES:**

<p>Zone Type: see chart on next page</p> <p>Basic wired Type (zns 1-6):</p> <ul style="list-style-type: none"> <li>0 = EOL</li> <li>1 = NC</li> <li>2 = NO</li> <li>3 = zone doubling</li> <li>4 = double-balanced</li> </ul> <p>Input Type:</p> <ul style="list-style-type: none"> <li>2 = AW (zones 17-24)</li> <li>3 = RF (zones 9-24)</li> <li>4 = UR (zones 9-24)</li> <li>5 = BR (zones 49-64)</li> <li>7 = RM (zones 9-24)</li> </ul> <p><b>NOTE:</b> Zones 9-14 not available depending on whether zone doubling enabled on zones 1-6.</p>	<p>Report:</p> <p>yes = Contact ID reporting enabled for this zone; entered as 01 00 in appropriate data fields.</p> <p>Response Time:</p> <ul style="list-style-type: none"> <li>0 = 10msec</li> <li>1 = 400msec</li> <li>2 = 700msec</li> <li>3 = 1.2 sec</li> </ul> <p><b>NOTE:</b> If zone doubling is selected, the response time selected for the basic zone automatically applies to the associated doubled zone.</p> <p><b>Reserved Zones</b></p> <ul style="list-style-type: none"> <li>91 = addressable device report enable/disable default zone type = [05].</li> <li>92 = Duress report enable/disable</li> </ul>
----------------------------------------------------------------------------------------------------------------------------------------------------------------------------------------------------------------------------------------------------------------------------------------------------------------------------------------------------------------------------------------------------------------------------------------------------------------------------------------------------------------------------------------------------	------------------------------------------------------------------------------------------------------------------------------------------------------------------------------------------------------------------------------------------------------------------------------------------------------------------------------------------------------------------------------------------------------------------------------------------------------------------------------------------------------------------------------------------------------------------------------------------------------------------------------------

**\*56 ZONE PROGRAMMING MENU MODE (press \*56 while in Program mode)**

SET TO CONFIRM? 0 = NO 1 = YES	0 = no 1 = yes (prompt appears after entering the serial and loop numbers to confirm each transmitter) We recommend that you confirm the programming of every transmitter.
Enter Zn Num. (00 = Quit) 10	Enter the zone number being programmed: wired zones 01-6 and 10-14 for zone doubling; expansion zones 17-24; wireless zones 09-24; RF button zones 49-64 91 = addr. device report enable (Enter a report code for zone 91 to enable addressable device reporting. 92 = duress report enable (Enter a report code for zone 92 to enable duress reporting) 95, 96, 99 =emergency zones 00 to quit; [*] to continue
Zn ZT P RC In: L 10 00 1 10 RF: 1	Summary Screen [*] to continue; "IN: L" = input type and loop; "IN: AD" = wired expansion module address "HW: RT" = basic wired zone configuration (EOL, NO, NC, zone doubling, double-balanced) and response time
10 Zone Type Perimeter 03	Enter the desired ;zone type from the list below. If 00 is entered, Delete Zone ? is displayed. 00 = Not used                      08 = 24-Hr Aux                      21 = Arm-AWAY* 01 = Entry/exit #1                09 = Fire                              22 = Disarm* 02 = Entry/exit #2                10 = Interior w/Delay              23 = No Alarm Resp 03 = Perimeter                      12 = Monitor Zone                24 = Silent Burglary 04 = Interior Follower            14 = Gas                              77 = Keypad 05 = Trouble Day/Alarm Night    15 = Medical                        81 = AAV Monitor Zone 06 = 24-Hr Silent                  16 = Fire w/Verify                82 = Blockschloss Keypad 07 = 24-Hr Audible                20 = Arm-STAY*                  90-93 = Configurable <p style="text-align: right;">*5800 button-type transmitters only</p>
10 Partition 1	Enter the desired partition for this zone 1-3 = partition [*] to continue
10 Report Code 1st 01 2nd 00 10	Enter the report code for this zone, which consists of 2 hexadecimal digits, each in turn consisting of 2 numerical digits. For example, for a report code of "10," enter 01 and 00. For Contact ID®, entering any non-zero entry as the first digit enables the report code for this zone. 1-9, 10 for A, 11 for B, 12 for C, 13 for D, 14 for E, 15 for F 00 to disable; [*] to continue
02 HARDWARE TYPE EOL 0	This prompt appears only for zone numbers 01-06. Enter the desired basic wired type: 0 = EOL; 1 = NC; 2 = NO; 3 = zone doubling (ZD); 4 = double-balanced (DB) [*] to continue
02 Response Time 1	This prompt appears only for basic wired zones 01-06 (zone 02 is used as an example in display). 0 = 10mSec; 1 = 400mSec; 2 = 700mSec; 3 = 1.2 seconds [*] to continue
10 INPUT TYPE RF TRANS 3	This prompt is skipped for zones 1-6, and for zones 9-14 if zone-doubling enabled at "Hardwire Type" prompt. All of the RF transmitters have one or more unique input loops (see list below). Each of the input loops requires its own programming zone (e.g., a 5804's four inputs requires four zones). 2 = AW (Aux wired zone) 3 = RF (supervised RF transmitter; sends fault, restore, and low-battery signals, and sends periodic check-in signals; transmitter must stay within receiver's range) 4 = UR (unsupervised RF transmitter; sends fault, restore, and low-battery signals, but periodic check-in signals are not supervised; transmitter may be carried off-premises) 5 = BR (unsupervised button type RF transmitter; sends fault and low battery signals when activated, does not send restore or check-in signals; transmitter may be carried off-premises) 7 = RM (supervised RF motion detector; sends fault and low battery signals, and sends periodic check-in signals; panel ignores detector restore signals but automatically restores the zone to "ready" after a few seconds; transmitter must stay within receiver's range) NOTE: While the system is disarmed, faults from input type RM devices might not be seen on the keypad display because the subsequent automatic restore can occur more quickly than the display is refreshed. [*] to continue
<p><b>NOTES:</b></p> <ul style="list-style-type: none"> <li>• For the built-in basic wired zones, the Input Type is automatically displayed as HW and cannot be edited.</li> <li>• To change the input type of a previously programmed wireless device (type RF, UR, BR, RM) to a wired zone (type AW), you must first delete the transmitter's serial number.</li> </ul>	
10 INPUT S/N: L A022-4064 1	For wireless transmitters, enroll the serial number and loop number as follows: 1. a. Transmit two open/close sequences. If using a button-type transmitter, press and release the button twice, but wait about 4 seconds before pressing the button the second time. OR b. Manually enter the 7-digit serial number printed on the label of the transmitter. Press the [*] key to move to the "L" position, then enter the loop number. If desired, you can press the [C] key to copy the previously enrolled serial number (used when programming a transmitter with several input loops). The cursor moves to the loop number position. c. To delete an existing serial number, enter 0 in the loop number field. The serial number will change to 0's. If 0 was entered in error, simply re-enter the loop number or press [#], and the serial number will return to the display. 2. Press [*] to continue. The system now checks for a duplicate serial/loop number combination.



<pre> 10 INPUT S/N   L   A022-4064   1 </pre>	<p>If the serial/loop number combination is not a duplicate in the system, a display showing the serial number and loop number entry appears. [*] to continue</p>
<pre> XMIT TO CONFIRM PRESS * TO SKIP </pre>	<p>This prompt will only appear if you answered "Yes" at the first prompt in this section. The system will enter a confirmation mode so that the operation of the actual programmed input can be confirmed. Activate the loop input or button that corresponds to this zone. [*] to continue</p>
<pre> Entd A022-4063 1 Rcvd A022-4064 1 </pre>	<p>If the serial/loop number transmitted does not match the serial number entered, a display showing the entered and the received serial/loop numbers appears. If so, activate the loop input or button on the transmitter once again. If a match is not obtained (i.e., summary display does not appear), press the [#] key twice and then enter (or transmit) the correct serial number. [*] to continue</p>
<pre> Zn ZT RC In: L 10 03 10 RF: 1s </pre>	<p>If the serial number transmitted matches the serial number entered, the keypad will beep 3 times and a summary display will appear, showing that zone's programming. An "s" indicates that a transmitter's serial number has been enrolled. [*] to accept the zone information and continue</p>
<pre> PROGRAM ALPHA? 0 = NO 1 = YES 0 </pre>	<p>If you want to program descriptors for zones now, enter 1 (Yes) and refer to the *82 Descriptor Programming section for procedures. To program descriptors later, enter 0 (no). [*] to continue</p>
<pre> ENTER ZN NUM. (00 = QUIT) 11 </pre>	<p>If 0 (No) was entered at the Program Alpha prompt, the system will return you to the ENTER ZN NUM. prompt for the next zone. When all zones have been programmed, enter 00 to quit.</p>

### \*58 Expert Programming Mode Procedures (press \*58 while in Data Programming mode)

<pre> SET TO CONFIRM? 0 = NO 1 = YES </pre>	<p>0 = no 1 = yes (prompt appears after entering the serial and loop numbers to confirm each transmitter) We recommend that you confirm the programming of every transmitter.</p>
<pre> Zn ZT P RC HW: RT 01 09 1 10 EL 1 </pre>	<p>A summary screen will appear, showing zone 1's currently programmed values. Enter the zone number being programmed, then press [*]. In this example, zone 10 is being entered. 01-06, 09-24, and 49-64 = zone number [D] = for assigning wireless key programming templates (see Wireless Key Programming Templates section in i/i); lets you choose from a series of preset templates for easy programming of wireless key zones 00 = quit (when all zones have been programmed, press "00" to quit this menu mode) [*] to continue</p>
<pre> Zn ZT P RC IN: L 10 - - -: - </pre>	<p>A summary screen with the selected zone's current programming appears. Begin programming zone information as follows: Enter Zone Type (ZT; see Zone Type chart shown in *56 Menu Mode "Zone Type" prompt), Partition (P), Report Code (RC) 0-9 only (use *56 mode for hex codes), and Input Device Type (IN)* sequentially (Loop Number (L) is entered at the next prompt).</p> <ul style="list-style-type: none"> <li>• Use the [A] (Advance) and [B] (Back) keys on the keypad to move the cursor within the screen.</li> <li>• Use the [C] key to copy the previous zone's attributes.</li> </ul> <p>* If HW (basic wired) or AW (Auxiliary) is entered for Input Device Type, the display will be similar to the prompt shown, except that HW or AW will be under "IN".</p>
<pre> Zn ZT P RC IN: L 10 00 1 10 RF 1 </pre>	<p>Press [*] to save the programming and continue. If needed, press the [#] key to back up without saving. For wireless devices (input types RF, UR, BR, RM), continue to the serial number/loop number prompt. For wired devices, return to the initial summary screen prompt to begin programming the next zone.</p>
<pre> 10 INPUT S/N: L   AXXX-XXX - </pre>	<p>Manually enter the serial number (found on the transmitter label), by entering the digits in the "X" locations, using the [A] (advance) or [B] (back) keys as required. OR</p>
<pre> Zn ZT P RC In L 10 03 1 10 RF: 1s </pre>	<p>Transmit two open/close sequences. If using a button-type transmitter, press and release the button twice, but wait about 4 seconds before pressing the button the second time. If you want to copy the previous zone's serial number, press the [C] key. Press [*] to advance to the loop number, then enter loop number. Press [*] to accept the existing serial and loop number and continue to the "Confirm" prompt described in *56 Menu mode above. If necessary, press [#] to back up and re-enter or edit the serial number. If the serial number transmitted matches the serial number entered, the keypad will beep 3 times and a summary display will appear, showing the programmed information for that zone. Press [*] to begin programming the next zone. See first "Summary Screen" prompt paragraph on previous page.</p>

## Wireless Key Programming Templates (press the [D] key from \*58 Menu mode Summary Screen display)

This procedure programs the wireless keys, but a key is not active until it is assigned to a user number (see System Operation section, assigning attributes command in the Installation Instructions).

TEMPLATE ?			
1-6			1

Enter desired template number 1-6 (see chart below).  
 Press [#] if you want to return to \*58 Menu mode Summary Screen.  
 If necessary, press [#] to back up and re-enter template number.  
 Press [\*] to continue to template display.

L	01	02	03	04
T	23	22	21	23

When [\*] is pressed, the selected template will be displayed.  
 Top line of display represents loop numbers, bottom line represents zone type assigned for each loop.  
 Press [\*] to accept template and continue.

PARTITION	
	1

Enter the partition in which the key is to be active.  
 1 = partition 1; 2 = partition 2; 3 = common partition  
 Press [\*] to continue.

ENTER START ZONE	
00 = QUIT	36

The system will search for the highest available consecutive 4-zone group (the four zones in the case of the 5804), and display the lowest zone number of the group.  
 If you want to start at a different zone, enter the zone desired, and press [\*]. If that zone number is displayed, the system has the required number of consecutive zones available, beginning with the zone you entered. If not, the system will again display a suggested zone that can be used.  
 If the required number of consecutive zones is not available at all, the system will display "00".  
 Press [\*] to accept and continue.

INPUT S/N	L
AXXX-XXXX	-

Manually enter the serial number printed on the label for the wireless key or press and release the button to transmit its serial number.  
 Press [\*] to accept the serial number. The system will check for duplicate.  
 If necessary, press the [#] key to back up without saving, and re-enter the serial number.  
 Use the [A] key to move forward within the screen, and the [B] key to move backward.

XMIT TO CONFIRM	
PRESS * TO SKIP	

If "Yes" was entered at the SET TO CONFIRM? prompt (first prompt following entry into the \*58 Expert Programming Mode), the display on the left will appear.  
 Confirm serial and loop numbers by activating the wireless key. Refer to the "Confirm" prompt described in \*56 Menu mode above for more information on confirming the serial number.  
 If the serial number transmitted matches the serial number entered, the keypad will beep 3 times and will return you to the ENTER START ZONE NUMBER prompt to enter the starting zone for the next wireless key.  
**IMPORTANT:** When confirmed, the key is not active until it is assigned to a user number (using the assigning attributes command, attribute "4"). See System Operation section in Installation Instructions.  
 [\*] to skip confirm.

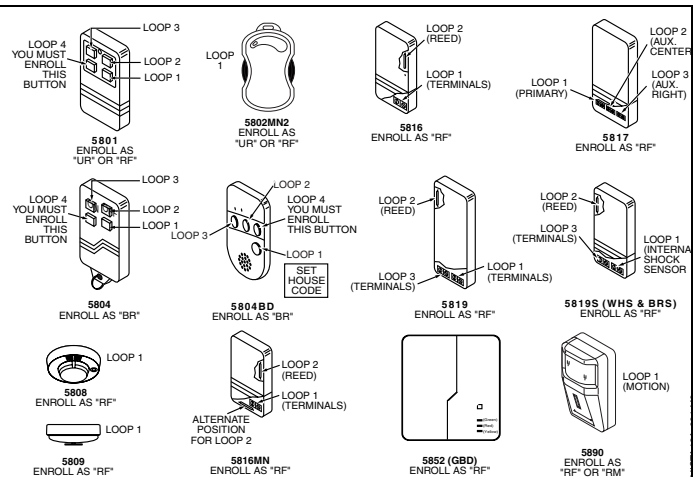
### Wireless Key Predefined Default Templates

5804	Loop	Function	Zone Type	5804BD/5804BDV	Loop	Function	Zone Type
TEMPLATE 1	1	No Response	23	TEMPLATE 4	1	No Response	23
	2	Disarm	22		2	No Response	23
	3	Arm Away	21		3	Arm Away	21
	4	No Response	23		4	Disarm	22
TEMPLATE 2	1	No Response	23	TEMPLATE 5	1	No Response	23
	2	Disarm	22		2	Arm Stay	20
	3	Arm Away	21		3	Arm Away	21
	4	Arm Stay	20		4	Disarm	22
TEMPLATE 3	1	24-hour audible	7	TEMPLATE 6	1	24-hour audible	7
	2	Disarm	22		2	Arm Stay	20
	3	Arm Away	21		3	Arm Away	21
	4	Arm Stay	20		4	Disarm	22

### 5800 Series Transmitter Input Loop Identification

All of the transmitters illustrated below have one or more unique factory assigned input (loop) ID codes. Each of the inputs requires its own programming zone (e.g., a 5804's four inputs require four programming zones).

**Note:** For information on any transmitter not shown, refer to the instructions accompanying that transmitter for details regarding loop numbers, etc.



## Table of Device Addresses

Address	Report†	Device	Programmed by...
00	100	RF Receiver	*56 zone programming: input device type entry;
01	101	AUI Device 1	Automatic if AUI enable field *189 enabled for AUI 1
02	102	AUI Device 2	Automatic if AUI enable field *189 enabled for AUI 2
03	103	Alternative Communication Media (ACM)	automatic if ECP Contact ID Output for ACM field *29 enabled
017-23	117-123	Telecommand Voice Module	same as keypad enables; see below
08	108	Zone Expanders (4219/4229)/6164 Keypad: module 2 zones 17 - 24 / 6164 zones 17-20	*56 zone programming: input device type entry, then: • automatic if zone no. 17-24 entered as AW type or relay assigned
13	113	Relay Modules (4204)/6164 Keypad with Relay: module 2 / 6164 using relay only (no zones)	*79 output device programming: device address prompt: • entered at device address prompt
16	n/a	Keypads:	data field programming as listed below:
17	n/a	keypad 1	• always enabled for partition 1, all sounds enabled.
18	n/a	keypad 2	• data field *190
19	n/a	keypad 3	• data field *191
20	n/a	keypad 4	• data field *192
21	n/a	keypad 5	• data field *193
22	n/a	keypad 6	• data field *194
23	n/a	keypad 7	• data field *195
28	n/a	5800TM Module	• data field *196 automatic

† Addressable devices are identified by "1" plus the device address when reporting. Enter report code for zone 91 to enable addressable device reporting (default = reports enabled). See field \*199 for addressable device (ECP) 3-digit/2-digit identification keypad display options.

## \*57 FUNCTION KEY PROGRAMMING

Option	Function	A			B			C			D			Comments
		P1	P2	P3	P1	P2	P3	P1	P2	P3	P1	P2	P3	
01	Paging													
02	Time Display													
03	Arm AWAY													
04	Arm STAY													
05	Arm NIGHT-STAY													
06	Step Arming													
07	Device Activation													Device:
08	Comm. Test													
09	Macro Key 1													Assign each macro key to only a single partition. †
10	Macro Key 2													Assign each macro key to only a single partition. †
00	Emergency Keys:			zone 95			zone 99			zone 96			paging	
	Personal Emergency												n/a	
	Silent Alarm												n/a	
	Audible Alarm												n/a	
	Fire												n/a	

Emergency Keys: A = paired keys [1] / [\*] (zone 95); B = paired keys [\*] / [#] (zone 99); C = paired keys [3] / [#] (zone 96)

† There are only four macros system-wide.

### Start Function Key Programming mode by pressing \*57 while in Data Programming mode.

Press Key to Pgm	
0 = Quit	0

Press the desired function key, A-D.

**NOTE:** A key programmed as a function key is no longer available to be used as an end-user macro key or panic key.

[\*] to continue



Partition	
	1

1 = function key active in partition 1  
2 = function key active in partition 2  
3 = function key active in common partition  
[\*] to continue

Key "A" Func	
Zone 95	00

Enter the desired function for this key:

00 = For the Function key selected, the function will be as follows (system default):

If A selected = Zone 95 (emergency key, same as [1] [\*] pair)

If B selected = Zone 99 (emergency key, same as [\*] [#] pair)

If C selected = Zone 96 (emergency key, same as [3] [#] pair)

If D selected = Single-button paging

01 = Single-button paging (sends a 999-9999 message to pager)

02 = Display time

03 = Arm AWAY (reports as User 00 if closing reports are enabled)

04 = Arm STAY (reports as User 00 if closing reports are enabled)

05 = Arm NIGHT-STAY (reports as User 00 if closing reports are enabled)

06 = Step Arming (arms STAY, then NIGHT-STAY, then AWAY)

07 = Output Device Command (for device programmed as system operation type 66 in \*80 Menu Mode)

08 = Communication Test (sends Contact ID code 601)

09-10= Macro Keys 1-2 respectively (defined by [#] [6] [6] command)

[\*] to continue; returns to key number prompt with the next function key letter displayed.

## OUTPUT RELAYS/POWERLINE CARRIER DEVICES WORKSHEET FOR \*79, \*80 and \*81.

For keypad activated devices, use \*79 Menu mode to assign a system output number and associate its corresponding device.

For automatic activation, use \*79 Menu mode as above, and use \*80 Menu mode to define the system condition that will activate/deactivate the device(s).

### \*79 RELAY/POWERLINE CARRIER DEVICE MAPPING (Must program before using \*80)

Output No.	Relay		Unit No.	Description
	Module Addr.	Pos (1-4)		
01				
02				
03				
04				

Output No.	Relay		Unit No.	Description
	Module Addr.	Pos (1-4)		
17	On-Board Trigger 1			Norm output =
18	On-Board Trigger 2			Norm output = [default: 1, trig. normally low]

#### To Activate/Deactivate Devices in Normal Operating Mode:

Code + # + 7 + NN Key Entry starts Device NN.

Code + # + 8 + NN Key Entry stops Device NN.

#### Start Output Device Mapping by pressing \*79 while in Data Programming Mode.

ENTER OUTPUT NO.
00 = QUIT                    xx

Enter the logical (or reference) relay number as used in the system.

01-04 = relays/X-10

17-18 = on-board triggers (can be programmed for inverted output; see next prompt)

[\*] to continue

17 OUT NORM LOW
0 = NO 1 = YES            0

This prompt appears only for triggers 17 and 18.

0 = no (standard default); sets the trigger output level normally high

1 = yes; sets the trigger output normally low (can be used for resetting 4-wire smoke detectors by connecting trigger wire to the negative power terminal of the smoke detector, selecting 1 at this prompt, and setting as zone type 54, fire zone reset, in \*80 Menu mode)

[\*] to return to Output Number prompt

XX OUTPUT TYPE
DELETE?                    0

Select whether this is a relay or a Powerline Carrier (X-10) device.

0 = delete this output number

1 = relay on 4204/4229 module, 6164 keypad (skip to "B" prompt)

2 = Powerline Carrier device (go to "A" prompt)

[\*] to continue

"A"

XX UNIT No.
yy

Enter the device's unit code (set at the device)

01-04 = predefined address

[\*] to returns to the Output Number prompt

"B"

XX MODULE ADDR
07-15                        yy

Enter the module's predefined address (set the module's DIP switches to the selected address, or key the 6164 address)

07-15 = predefined address (see table of device addresses)

[\*] to continue

XX REL POSITION
1-4                            zz

Enter the actual (or physical) relay number with respect to the Relay Module upon which it is located. For 4204 modules, relay numbers are 1-4. For 4229 modules, relay numbers are 1-2. For 6164 keypad, relay number is 1.

1-4 = relay position

[\*] to return to the Output Number prompt for programming the next device

**\*80 OUTPUT DEFINITIONS**

- NOTES:** 1. For Relays, 4229, 4204 and 6164 devices are programmed in \*79, \*80, and \*81 modes.  
 2. For Powerline Carrier devices (plcd), field \*27 must be programmed with a House Code.  
 3. Tamperers of expansion units cannot be used to operate devices.

**Zone Types:**

00 = Not used	08 = 24-Hr Aux	21 = Arm-AWAY*
01 = Entry/exit #1	09 = Fire	22 = Disarm*
02 = Entry/exit #2	10 = Interior w/Delay	23 = No Alarm Resp
03 = Perimeter	12 = Monitor Zone	24 = Silent Burglary
04 = Interior Follower	14 = Gas	77 = Keypad
05 = Trouble Day/Alarm Night	15 = Medical	81 = AAV Monitor Zone
06 = 24-Hr Silent	16 = Fire w/Verify	82 = Blockschloss Keypad
07 = 24-Hr Audible	20 = Arm-STAY*	90-93 = Configurable

\*5800 button-type transmitters only

**Choices for System Operation are:**

20 = Arming-Stay	38 = Chime	60 = AAV Trigger	** Use 0 (Any) for Partition No. (P) entry.
21 = Arming-Away	39 = Any Fire Alarm	66 = Function key (use *57 Menu Mode to assign the function key, function "07,")	*** Or at Disarming, whichever occurs earlier.
22 = Disarming (Code + OFF)	40 = Bypassing	67 = Siren Failure	
31 = End of Exit Time	41 = **AC Mains Failure	68 = Telecom Line Fault	
32 = Start of Entry Time	42 = **System Battery Low	69 = Telecom Line Fault Restore	
33 = Any Burglary Alarm	43 = Communication Failure	70 = AC Mains Restore**	
36 = **At Siren Timeout***	46 = System Low Battery Restore**	71 = System Startup/Clock Not Set	
	52 = Kiss off	72 = Clock Set	
	54 = Fire Zone Reset	78 = Keypad red LED (device action not used for this option)	
	58 = Duress	79 = Keypad green LED (device action not used for this option)	
		80 = any tamper in the system	

**OUTPUT DEFINITION WORKSHEET**

Output Function Number (1-12)	Activation Type and Detail				Partition Number (P) (if using ZT trig) 0 = any 1 = partition 1 2 = partition 2 3 = common	Event (for zone list/activated by)		Action 0 = off 1 = close 2 secs 2 = stay closed 3 = pulse 4 = toggle 5 = duration 1†† 6 = duration 2††	Output Number 1-18= dev	Device Type R = relay T = trigger X = X10
	Activated by 0=delete 1=zn list 2=zn type 3=zn no.	Zone List (ZL) 1-12 = list	Zone Type (ZT) (see table below)	Zone No. (ZN) 00=none 01-06, 09-24, 49-64		By Zone List	By Zone No.			
1										
2										
3										
4										
5										
6										
7										
8										
9										
10										
11										
12										

†† Duration is set in program field \*177. Duration 1 (action 5) is from 15 seconds to 15 minutes. Duration 2 (action 6) is from 1 day to 7 days.

**Start Output Definition mode by pressing \*80 while in Data Programming mode.**

Output Funct. # (00 = Quit)      01
----------------------------------------

Enter the output function number to be defined  
01-12 = output function number  
[\*] to continue  
00 = exit

01 A E P Trig ?00 0 0 - ZL=1
---------------------------------

This screen displays a summary of the current output programming  
A = Output Action; E = Triggering event; P = Partition; Trig = Trigger type  
Question mark indicates the device shown has not been mapped. Use \*79 Menu mode to map the device.  
[\*] to continue

01 Activated By: Zone List
-------------------------------

Select where the initiating event for this output definition is to occur.  
0 = delete (deletes the output function and any previous programming)

Delete? 0 = NO, 1 = YES
----------------------------

To delete this output definition, press 1.  
If you do not want to delete this output, press 0.

1 = zone list (go to "A" prompt)  
2 = zone type (go to "B" prompt)  
3 = zone number (go to "C" prompt)  
[\*] to continue

"A"

01 Zn List 1
-----------------

If zone list was selected, this screen appears. Otherwise skip to the next row.  
Enter the desired zone list number associated with this output number:  
01-12 = zone list (Do not use zone lists 09-11 in output definitions if they are being used for paging)  
Enter the zone list event that will activate this output:

Enter Event Alarm      1
-----------------------------

0 = restore; 1 = alarm;  
2 = fault; 3 = trouble

[\*] to continue

**NOTE:** For alarm, fault, and trouble, an event on ANY zone in the list activates the output.  
Press [\*] to continue and skip to the "Output Action" prompt.

"B"

01 Enter Zn type Perimeter      03
---------------------------------------

If zone type was selected, this screen appears. Otherwise skip to the next row.  
Enter the desired zone type for this output number. See list above \*80 Worksheet for zone types.  
Enter the partition in which this zone type will occur.

01 Partition Any partition      0
--------------------------------------

0 = any partition; 1 = partition 1;  
2 = partition 2; 3 = common partition

Press [\*] to continue and skip to the "Output Action" prompt.

"C"

01 Enter Zn No. 12
-----------------------

If zone number was selected, this screen appears.  
Enter the desired zone number associated with this output number.  
Press [\*] to continue.  
Enter the zone event that will activate this output.

01 Enter Event Restore      0
----------------------------------

0 = restore; 1 = alarm;  
2 = fault; 3 = trouble

Press [\*] to continue to the "Output Action" prompt

01 Output Action Close for 2 sec      1
--------------------------------------------

Enter the desired device action as listed below.  
0 = off      4 = Change Device State  
1 = Close for 2 seconds      5 = Duration 1 (see data field \*177 entry 1, from 15 secs to 15 minutes)  
2 = Close and Stay Closed      6 = Duration 2 (see data field \*177 entry 2, from 1 to 7 days)  
3 = Continuous Pulse on & off (1 sec ON, 1 sec OFF)  
Press [\*] to continue.

Enter Output No. R02      02
---------------------------------

Enter the device output number (programmed in \*79 Menu Mode) you want associated with this output.  
01-04 = output no.  
17-18 = on-board triggers  
Press [\*] to continue.

02 A E P TRIG R02 1 1 3 ZL=1
---------------------------------

A summary screen appears showing the programmed settings.  
Press [\*] to return to output function number prompt.

**\*81 ZONE LISTS**

List No.	Used For...	Contains These Zones...
01	General Purpose (GP)	
02	General Purpose	
03	Chime-by-Zone or GP	
04	Linked Zones	
05	Night-Stay Zones or GP	
06	General Purpose	
07	General Purpose	
08	Final Contact Set Zones or G P	
09	Zones activating pager 1 or G P	
10	Zones activating pager 2 or G P	
11	General Purpose	
12	Exit Zones (*88) or GP	

**NOTES:**

- Any list may include any or all of the system's zone numbers.
- A zone list can be assigned to more than one output relay.
- When creating zone list 4 for linked zones, include only zones assigned to zone types 3, 4, or 5. Do not include zones that have delays (entry/exit zones, interior w/delay) or 24-hour zones, as these zone types may produce unpredictable operation and may not function as intended.

**Start Zone List Program Mode by pressing \*81 while in Data Programming mode.**

Zone List No. (00 = Quit)      01	Enter the Zone List Number to program (or 00 to end these entries). 01-12 = zone list number [*] to continue
01 Enter Zn Num. (00 = Quit)      00	Enter each zone number to add to the zone list. 01-06, 09-24, 49-64 = zone numbers followed by [*] to accept each zone 00 to continue <b>IMPORTANT:</b> Do not include fire zones in zone lists that are used to STOP device actions.
01 Del Zn List? 0 = No 1 = Yes    0	0 = don't delete list; current zone list remains saved 1 = delete this zone list; All zones in the zone list will be deleted automatically and the system returns to the Zone List No. prompt. [*] to continue
01 Delete Zone? 0 = No 1 = Yes    0	0 = don't delete zones; save zone list and return to the Zone List No. prompt. 1 = go to next prompt to delete zones [*] to continue
01 Zn to Delete? (00 = Quit)      00	Enter each zone to be deleted from the list 01-06, 09-24, 49-64 = zones to be deleted from list followed by [*] to accept each zone 00 when done to return to the Zone List No. prompt

**\*82 DESCRIPTOR PROGRAMMING**

**Start Zone Descriptor Programming mode by pressing \*82 while in Data Programming mode.**

Program Alpha ?  
0=No, 1=Yes 00

The "Program Alpha ?" prompt appears.  
1 = program zone descriptors or partition descriptors  
0 = exit  
[\*] to continue

Sel Zone Des=0  
Part =1

This prompt selects whether you are entering zone descriptors or entering partition descriptors.  
0 = create zone descriptors (see Zone No? prompt below)  
1 = create partition descriptors  
[\*] to continue

If "1" selected, the following prompt appears.

Enter the 2-digit partition descriptor number (11-13) to be programmed, then press [\*].

PART?      00

11 = partition 1 descriptor; 12 = partition 2 descriptor; 13 = partition 3 descriptor

Enter the descriptor as described in steps 1-3 in the Zone Number section below.

Zone No.?      00

Enter the zone number for the descriptor you are programming.

Press [\*] to continue. A cursor appears at the beginning of the second line.

**Special Keys:**

[6] = accept character and move cursor to next position to right

[4] = move cursor to left

[8] = save descriptor

1. Refer to the Character Chart below.  
Press [#], followed by the 3-digit entry for the first letter you want to display (e.g., # 0 6 5 for "A").  
Press [6] to move the cursor to the right, in position for the next character.
2. Repeat Step 1 to enter the next characters until the desired descriptor is entered. You can use the [4] key to move the cursor to the left, if necessary.  
Descriptors can be a maximum of 16 characters.
3. When done, press the [8] key to save the descriptor and return to the "Zone No. ?" prompt. To enter a descriptor for the next zone,
4. Enter the zone number for the next descriptor, press [\*], and repeat steps 1-3.  
To change a custom word (partition descriptor), simply overwrite it.  
To exit, enter zone number "00."

**CHARACTER (ASCII) CHART (For Creating Zone/Partition Descriptors and Reminder Words)**

032(space)	042 = *	053 = 5	064 = @	075 = K	086 = V	097 = a	108 = l	119 = w
033 = !	043 = +	054 = 6	065 = A	076 = L	087 = W	098 = b	109 = m	120 = x
034 = "	044 = ,	055 = 7	066 = B	077 = M	088 = X	099 = c	110 = n	121 = y
035 = #	045 = -	056 = 8	067 = C	078 = N	089 = Y	100 = d	111 = o	122 = z
036 = \$	046 = .	057 = 9	068 = D	079 = O	090 = Z	101 = e	112 = p	123 = {
037 = %	047 = /	058 = :	069 = E	080 = P	091 = [	102 = f	113 = q	124 =
038 = &	048 = 0	059 = ;	070 = F	081 = Q	092 = ¥	103 = g	114 = r	125 = }
039 = '	049 = 1	060 = <	071 = G	082 = R	093 = ]	104 = h	115 = s	126 = →
040 = (	050 = 2	061 = =	072 = H	083 = S	094 = ^	105 = i	116 = t	127 = ←
041 = )	051 = 3	062 = >	073 = I	084 = T	095 = _	106 = j	117 = u	
	052 = 4	063 = ?	074 = J	085 = U	096 = `	107 = k	118 = v	



**\*83 CONFIGURABLE ZONE TYPE PROGRAMMING**

**CONFIGURABLE ZONE TYPE WORKSHEET**

Option	ZT 90	ZT 91	ZT 92	ZT 93	Option Selections		
Zone Attributes					<b>Zone Attributes</b> 0 = none 1 = exit delay only 2 = entry/exit 1 3 = entry/exit 2 4 = follows entry/exit 5 = has verification† 6 = resettable	<b>Vent Zone</b> 0=no; 1=yes  <b>Zone Processing</b> 0=none 1 = Zone type has automatic restore 2 = zone type uses Misc. Fault Delay Time and automatic restore	<b>Sound on Alarm</b> 0=none 1= keypad sound only 2= steady siren sounding 3= pulsing siren (temporal)
Bypass Option							
Response to Short					<b>Bypass Options</b> 0 = cannot be bypassed 1 = auto bypassed when armed STAY	<b>Sound on Trouble</b> 0=none 1=1 beep every minute 2= fast beeps normal	<b>Dial Delay</b> 0=no; 1=yes  <b>Display Options</b> 0=no display 1=display only 2 = chime only 3 = chime & disp.
Response to Open							
Vent Zone					<b>Response to Short/Open</b> 0=none    2=trouble 1=Alarm    3=fault	<b>Contact ID Code</b> 000-999	
Zone Processing							
Sound on Trouble							
Sound on Alarm							
Dial Delay							
Display Options							
Contact ID Code							

**Start Configurable Zone Type Programming Mode by pressing \*83 while in Data Programming mode.**

Enter Zone Type (00=quit)    90
------------------------------------

Enter the configurable zone type number being programmed.  
90-93  
[\*] to continue

90 Zn Attributes 0
-----------------------

Enter the desired zone attributes.  
0 = none                    4 = follows entry/exit  
1 = exit delay only      5 = has verification (resets power upon event and when code + OFF to clear condition. If condition persists, zone activates)  
2 = entry/exit 1  
3 = entry/exit 2            6 = resettable (upon code + OFF)  
**NOTE:** If 6 is selected for the Zone Attribute, enter 0 for Alarm/Trouble Processing at the below Alm/Trbl Proc prompt.

90 Bypass Option 0
-----------------------

Enter the desired bypass option.  
0 = zone type cannot be bypassed  
1 = auto bypassed when armed in stay mode  
[\*] to continue

90 Resp to Short Armed 0    DArmd 0
----------------------------------------

Select the type of response when zones assigned to this zone type are shorted when the system is armed.  
0=none                    2=trouble                    **NOTE:** • For double-balanced zones, this entry must be 0.  
1=alarm                    3=fault                    • For zone-doubled zones, **both** zones of the doubled pair must be assigned the same response to a short.

90 Resp to open Armed 0    DArmd 0
---------------------------------------

Select the type of response when zones assigned to this zone type are opened when the system is armed.  
0 = none                    2 = trouble  
1 = alarm                    3 = fault  
[\*] to continue

90 Vent Zone 0 = No, 1 = Yes
---------------------------------

If selected, the system can be armed even if zones assigned to this zone type are faulted.  
**NOTE:** After arming, faults on these zones will be ignored until the zone is restored.  
0=no; 1=yes; [\*] to continue

90 Alm/Trbl Proc 0
-----------------------

Select desired actions for zones assigned to this zone type.  
0=none; 1=Zone type has automatic restore; 2=zone type uses Misc. Fault Delay Time (selected in field \*87) and automatic restore  
[\*] to continue                    **NOTE:** If 6 was selected above for the Zone Attribute, enter 0 for this prompt.

90 TRBL SOUND 0
--------------------

Select type of sounding upon trouble conditions on zones assigned to this zone type.  
0=none; 1=one beep every minute; 2= normal trouble sound (fast beeps)  
[\*] to continue

90 ALARM SOUND 0
---------------------

Select type of sounding upon alarm conditions on zones assigned to this zone type.  
0=none; 1= keypad sound only; 2= steady siren sounding; 3= pulsing siren (temporal)  
[\*] to continue

90 Dial Delay 0=No, 1=Yes
------------------------------

If selected, faults on zones assigned to this zone type will delay reporting for whatever length of time that is selected in dial delay (\*50)  
0=no; 1=yes; [\*] to continue

90 Disp Option 1
---------------------

Select whether faults on zones assigned to this zone type are displayed at the touch pad and/or cause a chime sound.  
0=no display; 1=display only; 2 = chime only; 3 = chime & disp.; [\*] to continue

Alarm ID: 000 Trouble ID: 000
----------------------------------

Enter the desired 3-digit (000-999) Contact ID report codes for faults and troubles occurring on zones assigned to this zone type.  
[\*] to continue; returns to Enter configurable zone type number prompt.

**IMPORTANT:**

- Make sure the code does not conflict with existing, predefined Contact ID report codes. See the **System Communication** section in the Installation Instructions for a list of standard Contact ID codes.
- Zone alarm report code (prompt in \*56 Zone Programming) and Trouble report code (\*60) and relevant restore codes (\*70, \*71) must be enabled in order for the Configurable Zone Type codes to be reported.

**Schedules** (installer code + [#] + [6] [4]; *master code can only access schedules 01-04 and events 00-08*)

Sched No.	Event (see list below)	Device No. for event "01": relays = 01-04 triggers = 17, 18	User Group for event "02": enter 1-8	Partition for events "04-06": enter 1, 2, or 3	Start Time/ Days select days by entering "1" under each desired HH:MM SMTWTFS	Warning Delay Time 01-15 = minutes	Stop Time/ Days select days by entering "1" under days desired HH:MM SMTWTFS	Repeat enter 0-4 (see list below)	Random 0 = no 1 = yes
01									
02									
03									
04									
05									
06									
07									
08	[11]				DT1: 02:00AM 0001000] DT2: 02:00AM 11111111]				

Events: Master/Installer      Installer Only      Repeat Options:  
 00 = clear event                      05 = forced AWAY arm                      11 = periodic test report                      0 = no repeat  
 01 = device on/off                      06 = auto disarm                      12 = up and about                      1 = repeat weekly  
 02 = user access                      07 = display "reminder"                      2 = repeat every other week  
 03 = child not home report                      08 = disarm time window                      3 = repeat every 3rd week  
 04 = forced STAY arm                      4 = repeat every 4th week

**Start Scheduling mode by entering installer code + [#] + [6] [4] while in normal operating mode.**

- NOTES:**
- The master code can only access schedules 01-4 and events 00-08.
  - System clock must be set before programming schedules.
  - Programmed schedules do not take effect until the next scheduled "start" time. (e.g., if programming a schedule time window for 8AM to 5PM, the schedule does not take effect until 8AM **after** the schedule has been programmed.)

ENTER SCHED NO.
00=QUIT      00

Enter the desired schedule number.  
 01-04 = end-user schedules  
 05-08 = installer-only schedules  
 [\*] to continue

ENTER EVENT
-------------

Enter the desired event number for event you want to occur at a specified time.  
 00 = clear event  
 01 = Relay On/Off  
 02 = User Access  
 03 = Child Not Home Report to Pager (sent to all pagers in the user's partition; message sent is 777-7777; user must be enabled for paging)  
 04 = Auto (Forced) Stay Arming† (Forced bypass is automatically enabled regardless of setting in field \*23)  
 05 = Auto (Forced) Away Arming† (Forced bypass is automatically enabled regardless of setting in field \*23)  
 06 = Auto Disarm  
 07 = Display "Reminder"  
 08 = Disarm Time Window (system can be disarmed only during this time period. Exception: If a burglary alarm occurs, the system can be disarmed outside the scheduled time window.)  
 11 = Periodic Test Report (installer only)  
 12 = Up and About (installer only)  
 [\*] to continue

**NOTE:** Events 07 and 10 cause the keypad to beep every 30 seconds when messages are displayed. Stop the beeps by user code + OFF.

† A. Auto Stay Arm (event 04) and Auto Away Arm (event 5) cannot be used if partition 3 is set as a common partition. To use these scheduling features, field \*30 must be 0, making partition 3 a separate partition.  
 B. When using Auto Stay Arm (event 04) or Auto Away Arm (event 05), the system will automatically bypass any open burglary zone when its arms at the scheduled time.

**IMPORTANT:** Zones left unintentionally open will be unprotected.

<p>DEVICE NUMBER XX</p>	<p>This prompt appears if event "1" (relay on/off) was selected, otherwise it is skipped. Enter the physical device number as programmed in *79 Menu Mode, then press [*] to continue to the "Start" prompt. Device numbers 17 and 18 designate built-in triggers 1 and 2 respectively. 01-18 = device number [*] to continue</p>
<p>GROUP NUMBER X</p>	<p>This prompt appears if event "2" (user access) was selected. Otherwise it is skipped. 1-8 = group number [*] to continue to the "Start" prompt.</p>
<p>PARTITION X</p>	<p>This prompt appears if events "3-7, or 10" were selected. Otherwise it is skipped. 0 = all partitions; 1 = partition 1; 2 = partition 2; 3 = partition 3 [*] to continue</p>
<p>START SMTWTFSS HH MMAM 0010000</p>	<p>Enter the event's start time and days of the week to occur. To select days, position the cursor under the desired days using the [*] key to move forward, then press "1" to select the day. 01-12 (00-23) = hour (use 00-23 if 24-hour time is enabled) 00-59 = minute 0 = AM; 1 = PM Days = place "1" under days [*] to continue</p>
<p>WARNING DLY TIME 00</p>	<p>This prompt appears if events "4 or 5" were selected. Enter the desired amount of time the system should warn of impending arming. The system will beep once every 30 seconds to alert users that arming will soon occur. Otherwise, this prompt is skipped. 01-15 = minutes of arm warning delay time [*] to continue</p>
<p>STOP SMTWTFSS HH MMAM 0010000</p>	<p>Enter the event's stop time and days of the week to occur. To select days, position the cursor under the desired days using the [*] key to move forward, then press "1" to select the day. This entry applies only to the following events: 1 (relay on/off); 2 (user access); 3 (child-not-home report) 01-12 (00-23) = hour (use 00-23 if 24-hour time is enabled) 00-59 = minute 0 = AM; 1 = PM Days = place "1" under days [*] to continue</p>
<p>REPEAT OPTION 0-4 X</p>	<p>Enter the desired repeat option for this schedule. e.g., To make a schedule that happens everyday you would select all days with a repeat count of 1. To make a schedule that runs for one week then stops, select everyday with a repeat count of 0. <b>NOTE:</b> Schedules run sequentially from Sunday to Saturday and reset on Sunday at midnight. If repeat count is 0, only those events scheduled from the day the schedule is set to Sunday will occur. Events scheduled after Sunday will be ignored. 0 = do not repeat 1 = repeat schedule weekly 2 = repeat schedule biweekly (every other week) 3 = repeat schedule every third week 4 = repeat schedule every fourth week [*] to continue</p>
<p>RANDOMIZE 0=NO 1=YES X</p>	<p>If selected, the scheduled start and stop times will vary within 60 minutes of the "hour" time. For example, if a schedule is set to start at 6:15pm, it will do so the first time 6:15pm arrives, but on subsequent days it will start anytime between 6:00 and 6:59 p.m. <b>NOTE:</b> Do not use the random option if the start and stop times are within the same "hour" setting, otherwise unpredictable results may occur (e.g., the randomized stop time may occur before the start time). 0 = no 1 = yes [*] to continue</p>

## – VISTA-12A DEFAULT TABLES –

Field	Default Table 1	Default Table 2
20 Installer code	4112	4112
21 Quick arm enable	1, 1, 1	0, 0, 0
22 RF options	0, 0	0, 0
23 Quick {forced} bypassed	0, 0, 0	0, 0, 0
24 RF house ID	0, 0, 0	0, 0, 0
25 Arming prevention override	7, 1	7, 1
26 Chime by zone	0	0
27 X10	0	0
29 ECP for ACM not used in Australia	0	0
31 Single alarm sounding per zone	1	1
32 fire sounder time out	0	0
33 Siren time out	3	3
34 Exit delay	60, 60, 60	60, 60, 60
35 Entry delay 1	15, 15, 15	15, 15, 15
36 Entry delay 2	30, 30, 30	30, 30, 30
37 Audible Exit warning	1, 1, 1	1, 1, 1
38 Comfirm. Arming ding	03, 03, 03	03, 03, 03
39 Power up in previous state	1	1
40 PABX access code	As is	As is
41 Primary phone number	As is	As is
42 Secondary phone number	As is	As is
43 Primary account P1	As is	As is
44 Secondary account P1	As is	As is
45 Primary account P2	As is	As is
46 Secondary account P2	As is	As is
47 Phone sys select / Dial attempts	1, 6	1, 6
48 Report format prim / second	7, 7	7, 7
49 Split dual rep.	0	0
50 Dialler delay {burg}	0	0
51 Primary account P3	As is	As is
52 Secondary account P3	As is	As is
53 Sescoa / Radionics enabled	0, 0	0, 0
54 Dynamic signalling delay	0	0
55 Dynamic signalling priority	0	0
59 Exit error report	0	0
60 Trouble report	1, 0	1, 0
61 Bypass report	0, 0	1, 0
62 AC loss	1, 0	1, 0
63 Low Bat	1, 0	1, 0
64 Test report	1, 0	1, 0
65 open report	0, 0, 0	1, 1, 1
66 Arm away / Stay report	00, 00, 00	10, 10, 10
67 RF trans low batt	1, 0	1, 0
68 Cancel report	1, 0	0, 0
69 Alarm restores enable	1	1
70 Alarm restores code	1	1
71 Trouble restores	1, 0	1, 0
72 Bypass restore	0, 0	1, 0
73 AC restore	1, 0	1, 0
74 low bat restore	1, 0	1, 0
75 RF low batt restore	1, 0	1, 0
76 Test restore	1, 0	1, 0
77 Summer time start / end month	0, 0	0, 0
78 Summer time start / end weekend	0, 0	0, 0
84 Auto stay arm	0	0
85 Link zone verification timer	0, 0	0, 0
86 Cancel verify keypad display	0	0
87 Misc verify delay times	0	0
88 Exit options	2	2
89 Event log full report	0, 0	0, 0
90 Event log enables	15	15
91 Miscellaneous options	0, 0	0, 0
92 Telecom Monitor enable	0, 0	0, 0
93 No. of report per armed period	6	6
94 Download phone no.	As is	As is
95 Ring count	0	0

## – VISTA-12A DEFAULT TABLES (continued)–

Field	Default Table 1	Default Table 2
160 Pager 1 phone number	As is	As is
161 Pager 1 characters	As is	As is
162 Pager 1 reporting options	0 , 0 , 0	0 , 0 , 0
163 Pager 1 phone number	As is	As is
164 Pager 1 characters	As is	As is
165 Pager 1 reporting options	0 , 0 , 0	0 , 0 , 0
166 pager delay options for alarms	0	0
173 RF reporting options	1	1
175 Tamper options	0 , 0	0 , 0
176 Siren options	0 , 0	0 , 0
177 Device Duration 1 , 2	0 , 7	0 , 7
178 RF supervision and RF Jam option	0	0
180 Zone bypass limits	0	0
181 AC and Clock display options	13	13
182 Summer time switchover	0	0
183 Date / Time format	1	1
185 Downloader suppression options	0	0
186 Display options	0 , 0	0 , 0
187 Sounder mimic on trigger 1	0	0
188 Keypad sabotage options	0 , 0	0 , 0
189 AUI enable AUI 1/ AUI 2	0 , 0	0 , 0
190 Keypad 2 device address 17	0 , 0	0 , 0
191 Keypad 3 device address 18	0 , 0	0 , 0
192 Keypad 4 device address 19	0 , 0	0 , 0
193 Keypad 5 device address 20	0 , 0	0 , 0
194 Keypad 6 device address 21	0 , 0	0 , 0
195 Keypad 7 device address 22	0 , 0	0 , 0
196 Keypad 8 device address 23	0 , 0	0 , 0
197 Exit time display interval	1	1
198 Display partition number	0	0
199 ECP device fail display	0	0

SCHEDULE: No. 08

Weekly Tests to be sent at 2:00 am  
Wednesday Morning

Daily tests to be sent at 2:00am

## **WARNING**

### **THE LIMITATIONS OF THIS ALARM SYSTEM**

While this System is an advanced design security system, it does not offer guaranteed protection against burglary, fire or other emergency. Any alarm system, whether commercial or residential, is subject to compromise or failure to warn for a variety of reasons. For example:

- Intruders may gain access through unprotected openings or have the technical sophistication to bypass an alarm sensor or disconnect an alarm warning device.
- Intrusion detectors (e.g., passive infrared detectors), smoke detectors, and many other sensing devices will not work without power. Battery-operated devices will not work without batteries, with dead batteries, or if the batteries are not put in properly. Devices powered solely by AC will not work if their AC power supply is cut off for any reason, however briefly.
- Signals sent by wireless transmitters may be blocked or reflected by metal before they reach the alarm receiver. Even if the signal path has been recently checked during a weekly test, blockage can occur if a metal object is moved into the path.
- A user may not be able to reach a panic or emergency button quickly enough.
- While smoke detectors have played a key role in reducing residential fire deaths, they may not activate or provide early warning for a variety of reasons in as many as 35% of all fires. Some of the reasons smoke detectors used in conjunction with this System may not work are as follows. Smoke detectors may have been improperly installed and positioned. Smoke detectors may not sense fires that start where smoke cannot reach the detectors, such as in chimneys, in walls, or roofs, or on the other side of closed doors. Smoke detectors also may not sense a fire on another level of a residence or building. A second floor detector, for example, may not sense a first floor or basement fire. Finally, smoke detectors have sensing limitations. No smoke detector can sense every kind of fire every time. In general, detectors may not always warn about fires caused by carelessness and safety hazards like smoking in bed, violent explosions, escaping gas, improper storage of flammable materials, overloaded electrical circuits, children playing with matches, or arson. Depending on the nature of the fire and/or location of the smoke detectors, the detector, even if it operates as anticipated, may not provide sufficient warning to allow all occupants to escape in time to prevent injury or death.
- Passive Infrared Motion Detectors can only detect intrusion within the designed ranges as diagrammed in their installation manual. Passive Infrared Detectors do not provide volumetric area protection. They do create multiple beams of protection, and intrusion can only be detected in unobstructed areas covered by those beams. They cannot detect motion or intrusion that takes place behind walls, ceilings, floors, closed doors, glass partitions, glass doors, or windows. Mechanical tampering, masking, painting or spraying of any material on the mirrors, windows or any part of the optical system can reduce their detection ability. Passive Infrared Detectors sense changes in temperature; however, as the ambient temperature of the protected area approaches the temperature range of 32° to 40°C, the detection performance can decrease.
- Alarm warning devices such as sirens, bells or horns may not alert people or wake up sleepers if they are located on the other side of closed or partly open doors. If warning devices are located on a different level of the residence from the bedrooms, then they are less likely to waken or alert people inside the bedrooms. Even persons who are awake may not hear the warning if the alarm is muffled by noise from a stereo, radio, air conditioner or other appliance, or by passing traffic. Finally, alarm warning devices, however loud, may not warn hearing-impaired people.
- Telephone lines needed to transmit alarm signals from a premises to a central monitoring station may be out of service or temporarily out of service. Telephone lines are also subject to compromise by sophisticated intruders.
- Even if the system responds to the emergency as intended, however, occupants may have insufficient time to protect themselves from the emergency situation. In the case of a monitored alarm system, authorities may not respond appropriately.
- This equipment, like other electrical devices, is subject to component failure. Even though this equipment is designed to last as long as 10 years, the electronic components could fail at any time.

The most common cause of an alarm system not functioning when an intrusion or fire occurs is inadequate maintenance. This alarm system should be tested weekly to make sure all sensors and transmitters are working properly. The security keypad (and remote keypad) should be tested as well.

Wireless transmitters (used in some systems) are designed to provide long battery life under normal operating conditions. Longevity of batteries may be as much as 4 to 7 years, depending on the environment, usage, and the specific wireless device being used. External factors such as humidity, high or low temperatures, as well as large swings in temperature, may all reduce the actual battery life in a given installation. This wireless system, however, can identify a true low-battery situation, thus allowing time to arrange a change of battery to maintain protection for that given point within the system.

Installing an alarm system may make the owner eligible for a lower insurance rate, but an alarm system is not a substitute for insurance. Homeowners, property owners and renters should continue to act prudently in protecting themselves and continue to insure their lives and property.

We continue to develop new and improved protection devices. Users of alarm systems owe it to themselves and their loved ones to learn about these developments.

## LIMITED WARRANTY

Honeywell International Inc., acting through its Security & Custom Electronics business ("Seller") 165 Eileen Way, Syosset, New York 11791, warrants its product(s) to be in conformance with its own plans and specifications and to be free from defects in materials and workmanship under normal use and service for 24 months from the date stamp control on the product(s) or, for product(s) not having a manufacturer's date stamp, for 12 months from date of original purchase unless the installation instructions or catalog sets forth a shorter period, in which case the shorter period shall apply. Seller's obligation shall be limited to repairing or replacing, at its option, free of charge for materials or labor, any product(s) which is proved not in compliance with Seller's specifications or proves defective in materials or workmanship under normal use and service. Seller shall have no obligation under this Limited Warranty or otherwise if the product(s) is altered or improperly repaired or serviced by anyone other than Honeywell factory service. Connection of any device(s) to a communicating bus of a Honeywell security system (e.g., keypad bus, polling loop) other than those manufactured or approved by Honeywell shall void this warranty. For warranty service, return product(s) transportation prepaid, to Honeywell Factory Service, 165 Eileen Way, Syosset, New York 11791.

THERE ARE NO WARRANTIES, EXPRESS OR IMPLIED, OF MERCHANTABILITY, OR FITNESS FOR A PARTICULAR PURPOSE OR OTHERWISE, WHICH EXTEND BEYOND THE DESCRIPTION ON THE FACE HEREOF. IN NO CASE SHALL SELLER BE LIABLE TO ANYONE FOR ANY CONSEQUENTIAL OR INCIDENTAL DAMAGES FOR BREACH OF THIS OR ANY OTHER WARRANTY, EXPRESS OR IMPLIED, OR UPON ANY OTHER BASIS OF LIABILITY WHATSOEVER, EVEN IF THE LOSS OR DAMAGE IS CAUSED BY THE SELLER'S OWN NEGLIGENCE OR FAULT.

Seller does not represent that the product(s) it sells may not be compromised or circumvented; that the product(s) will prevent any personal injury or property loss by burglary, robbery, fire or otherwise; or that the product(s) will in all cases provide adequate warning or protection. Customer understands that a properly installed and maintained alarm system may only reduce the risk of a burglary, robbery, fire, or other events occurring without providing an alarm, but it is not insurance or a guarantee that such will not occur or that there will be no personal injury or property loss as a result. CONSEQUENTLY, SELLER SHALL HAVE NO LIABILITY FOR ANY PERSONAL INJURY, PROPERTY DAMAGE OR OTHER LOSS BASED ON A CLAIM THAT THE PRODUCT(S) FAILED TO GIVE WARNING. HOWEVER, IF SELLER IS HELD LIABLE, WHETHER DIRECTLY OR INDIRECTLY, FOR ANY LOSS OR DAMAGE ARISING UNDER THIS LIMITED WARRANTY OR OTHERWISE, REGARDLESS OF CAUSE OR ORIGIN, SELLER'S MAXIMUM LIABILITY SHALL NOT IN ANY CASE EXCEED THE PURCHASE PRICE OF THE PRODUCT(S), WHICH SHALL BE THE COMPLETE AND EXCLUSIVE REMEDY AGAINST SELLER.

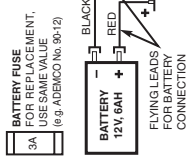
This warranty replaces any previous warranties and is the only warranty made by Seller on this product(s). No increase or alteration, written or verbal, of the obligations of this Limited Warranty is authorised.



K10022-1PRV1 10/05 Rev. A

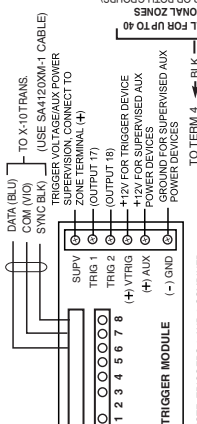
**BATTERY CAPACITY**  
3A  
REGULATORY STANDBY  
USE AT LEAST 4 HRS

**CHARGING VOLTAGE**  
13.8VDC, MAXIMUM  
CHARGING CURRENT  
650mA.



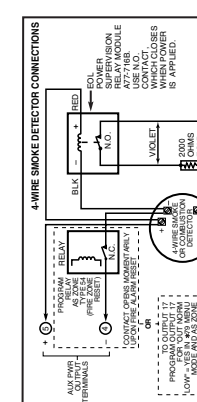
**SEALED LEAD-ACID TYPE.**  
BATTERY NORMALLY NEED NOT BE  
REPLACED FOR AT LEAST 3 YRS.  
TO DETERMINE TOTAL STANDBY LOAD  
TO BE SUPPORTED BY BATTERY, USE  
AUX POWER OUTPUT AND REMOTE  
KEYPAD CURRENTS.

**TRIGGER MODULE**  
USED FOR X10  
CONNECTIONS,  
TRIGGERS,  
AND AUX POWER,  
SUPERVISION,  
SUPERVISION,  
SEE INSTRUCTIONS.

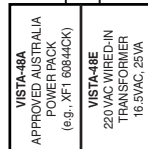


**NOTE:** TRIGGERS 1 AND 2 COMBINED  
CURRENT SHOULD NOT EXCEED 300 mA.

**ASERIOS No. 4214**  
OR  
**WIRED EXPANSION MODULE**  
(8 ADD'L EOL WIRELESS ZONES)  
OR  
**ADEMCO No. 4219**  
(8 ADD'L EOL WIRELESS ZONES)  
OR  
**WIRED WIRELESS ZONES PLUS 2**  
(8 ADD'L EOL WIRELESS ZONES PLUS 2  
OUTPUT RELAYS)  
OR  
**ADEMCO No. 429**  
(8 ADD'L EOL WIRELESS ZONES PLUS 2  
OUTPUT RELAYS)  
OR  
**ADEMCO No. 429**  
(8 ADD'L EOL WIRELESS ZONES PLUS 2  
OUTPUT RELAYS)

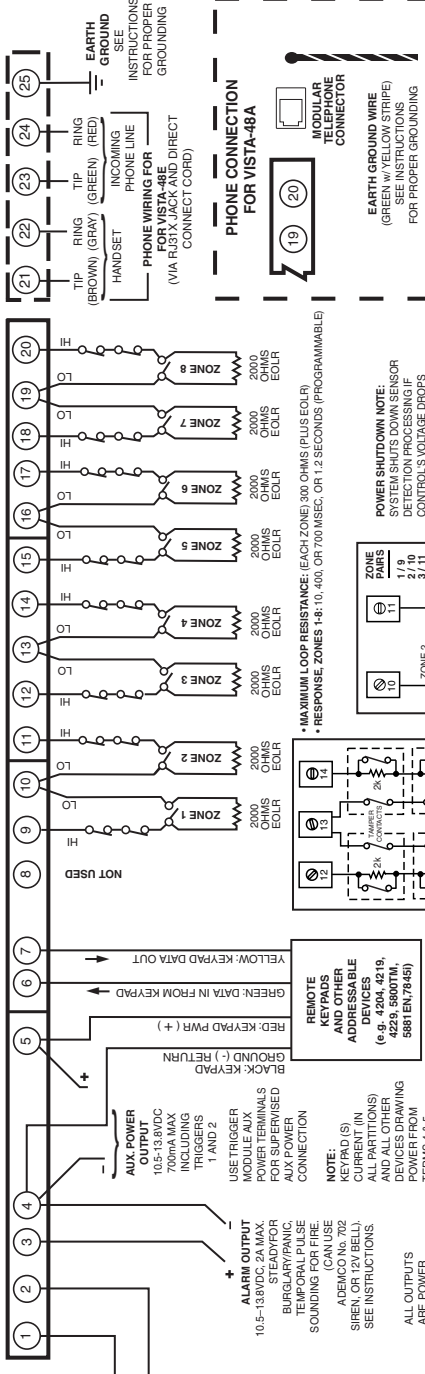


**RED JUMPER**  
CUT FOR SIREN SUPERVISION, ALSO, CONNECT 2000 OHM RESISTOR DIRECTLY  
ACROSS SOUNDER, DO NOT CUT FOR SELF-ACTIVATED SIREN OUTPUT.



# Honeywell

165 Eileen Way, Syosset, NY 11791  
Copyright © 2004 Honeywell International Inc.  
www.honeywell.com/security



**PHONE CONNECTION FOR VISTA-48E**  
(VIA RJ11X JACK AND DIRECT CONNECT CORD)

**PHONE CONNECTION FOR VISTA-48A**  
EARTH GROUND WIRE (GREEN W/ YELLOW STRIPE) FOR PROPER GROUNDING

**POWER SHUTDOWN NOTE:**  
SYSTEM SHUTS DOWN SENSOR DETECTION PROCESSING IF CONTROL'S VOLTAGE DROPS BELOW 9.8V.

**REMOTE AND OTHER ADDRESSABLE DEVICES**  
(e.g. 4204, 4219, 4229, 5800TM, 5881EN, 7845)

**REMOTE KEYPADS**  
CAN USE 6/28RF, 6/48, 6/50, 6/60V, OR 6/64 KEYPADS. MUST BE SET TO ADDRESS 16).

**NOTE:**  
KEYPAD(S) CURRENT (IN ALL OTHER AND ALL OTHER DEVICES DRAWING POWER FROM TERMS 4 & 5 MUST BE INCLUDED IN CURRENT DRAWN CALCULATIONS.

**ALL OUTPUTS ARE POWER LIMITED.**

**FOR COMPLETE INFORMATION, SEE INSTRUCTIONS K0745-1EN**

## ADEMCO VISTA-48A / VISTA-48E SUMMARY OF CONNECTIONS

V48A-V48E-SOC-V1